

LM Series



This is suitable for use in water, industrial wastewater and sewage, that can have wide variations of temperature. This small design of switch is for use in more confined spaces, where there is not enough room for the larger FFSMC type.

The rounded body design and floating attitude prevents accumulation of solids on the body. The switch has additional internal ballast, to bring the centre of gravity and rotation close to the cable entry point.

The switching element is a self cleaning type, that makes the complete switch insensitive to humidity and condensation, allowing this type to operate in widely fluctuating temperatures. The switch contacts are rated at 10 Amp resistive.

Supplied, as standard, with 5 metres cable and adjustable counterweight.

| Technical Specifications | LM10A | LM10B | LM10C |
|----------------------------------|---------------------------|-------|----------|
| Contact Form | N/O | N/C | C/O |
| Material | High Density Polyethylene | | |
| Temp Range °C | 0 / +55 | | |
| °F | + 32 / +131 | | |
| Cable (standard length 5m) | With protective earth | | no earth |
| Standard cable covering | PVC | | |
| U cable option for Fuel oils | Polyurethane | | |
| Max. working pressure | 10 bar | | |
| Electrical Specifications | | | |
| Power Rating Max | AC : 750 VA DC : 180W | | |
| Switching Voltage Max | AC : 250 V DC : 110 V | | |
| Switching Current Max. Resistive | 10 A | | |
| Switching Current Max. Inductive | AC : 4A DC : 1 A | | |

It is necessary to use an auxiliary relay, when switching pump motors or any loads that are not purely resistive.

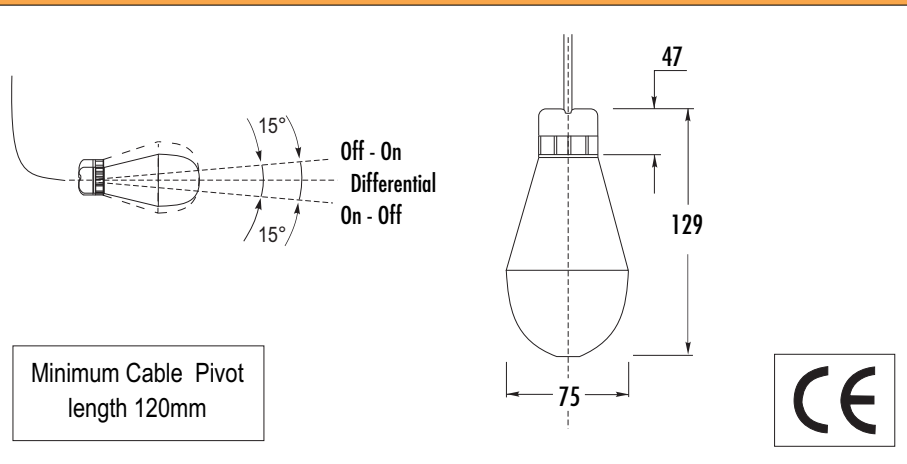


- For smaller tanks and restricted space
- Use in sewer and industrial waste water
- Shape avoids "ragging", in sewer systems
- Unaffected by suspended solids
- Operates in Turbulent Fluids

Cynergy3 Components Ltd
7 Cobham Road
Ferndown Industrial Estate
Wimborne
Dorset BH21 7PE
Tel: +44 (0) 1202 897969

sales@cynergy3.com

MECHANICAL



ISO 9001 CERTIFIED

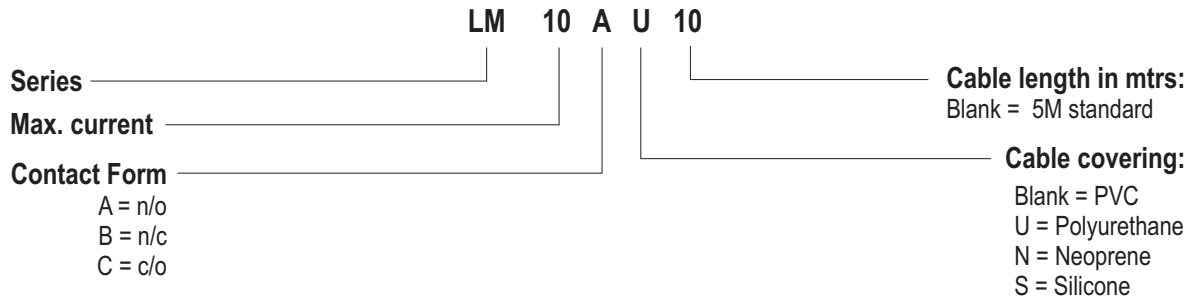
© 2011 Cynergy3 Components, All Rights Reserved. Specifications are subject to change without prior notice. Cynergy3 Components and the Cynergy3 Components logo are trademarks of Cynergy3 Components Limited.

www.cynergy3.com

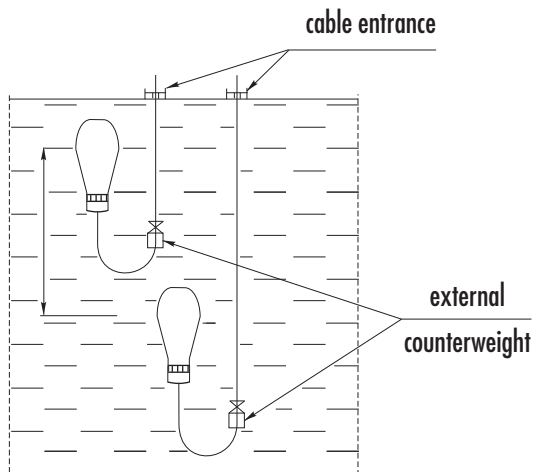
LM Series



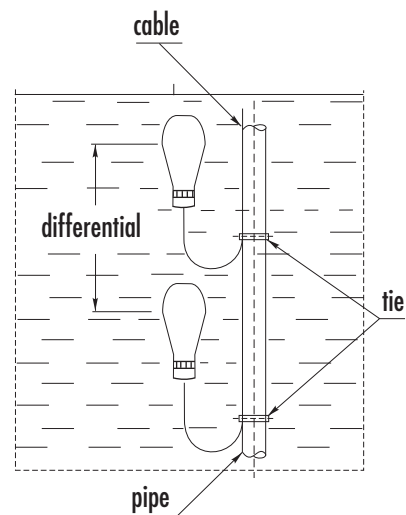
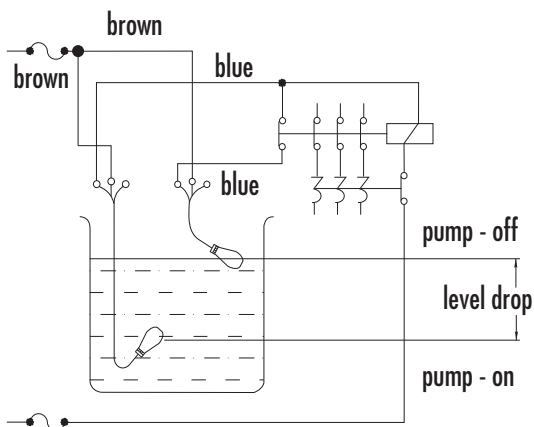
Part Numbering System



Installation



**wiring diagram
for filling pump**



**wiring diagram
for emptying pump**

