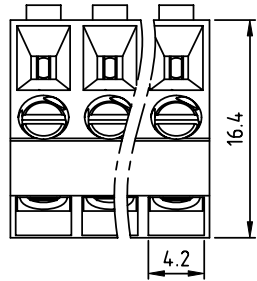


PRODUCT NUMBER	PITCH
VGxx01x000J0G	5.00 mm



N = Number of poles
 Dim L = N x 5.0
 Dim P = (N - 1) x 5.0

poles	Dim L	Dim P
2-6p	±0.15	±0.10
7-12p	±0.20	±0.20
13-18p	±0.30	±0.25
19-24p	±0.40	±0.30

PART NO.: VG xx 01 x 0 00J0 G

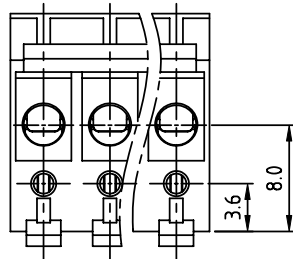
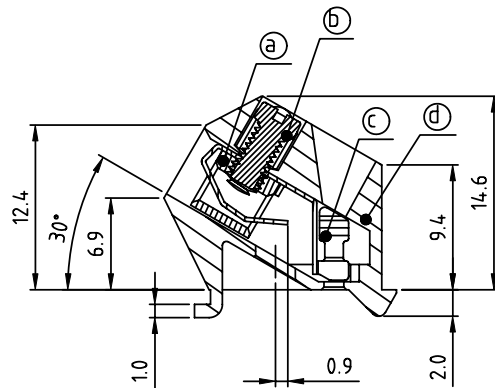
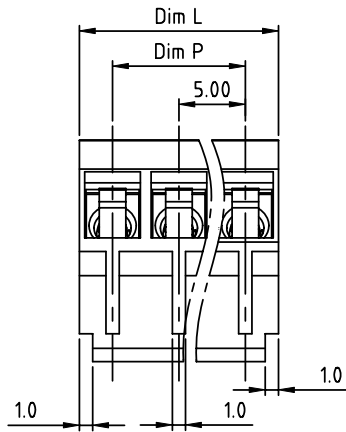
- | | | | |
|--------------|---|-------------------|-----------------|
| Solid block | 0 | Black (RAL9005) | RoHS compliant |
| No. of poles | 2 | Red (RAL3001/D) | (lead<4%) |
| 02 2 poles | 3 | Orange(RAL2011/P) | In copper Alloy |
| 03 3 poles | 4 | Yellow(RAL1018/A) | |
| ... | 5 | Green(RAL6018/T) | |
| ... | 6 | Blue (RAL5015/A) | |
| 24 24 poles | 8 | Grey(RAL7035/D) | |
| | 9 | White(RAL1102) | |
| | C | Green(RAL6018/U) | |

Material

- Item (a) Clamp: Brass (CuZn), Ni plating
- Item (b) Terminal screw: Steel Zinc plating "-" slot type
- Item (c) Female contact: PhBz (CuSn), Tin plated
- Item (d) Terminal(housing): Thermoplastic(UL94V-0)

Electrical cULus

- Voltage rating: 300V
- Current rating: 10A
- Wire range:
 - Solid wire(AWG): 14-26
 - Stranded wire(AWG): 14-26
- Torque(Lb-In): 3.5
- Screw: M2.6
- Wire strip length: 6-7mm
- Withstanding Voltage: 1.6KV
- Operating temperature: -40°C to +115°C
- Safety APPROVAL: cULus



mat'l. code		surface ASME Y14.5 ✓	tolerance ASME Y14.5	projection ⊕	product family TERMINAL BLOCK	
ltr	ecn no	dr	date	tolerances unless otherwise specified	title TERMINAL BLOCK	
				angles X ± 0.5	PLUGGABLE, 30D WIRE INLET, SOLID BLOCK	
				flatness X.X ± 0.3	scale sheet 1 of 1 size	
				total feature control X* ± 1*	X.XX ± 0.1	
		dr	EVIN ZHONG	041714	FCI type CUSTOMER Drawing	
		enr	EVIN ZHONG	041714	dwg no VGxx01x000J0G	
		chr	HANKE FENG	041714	sheet 1 of 1 size A4	
		appd	SHI JUN	041714		
sheet index	revision sheet	A	1			