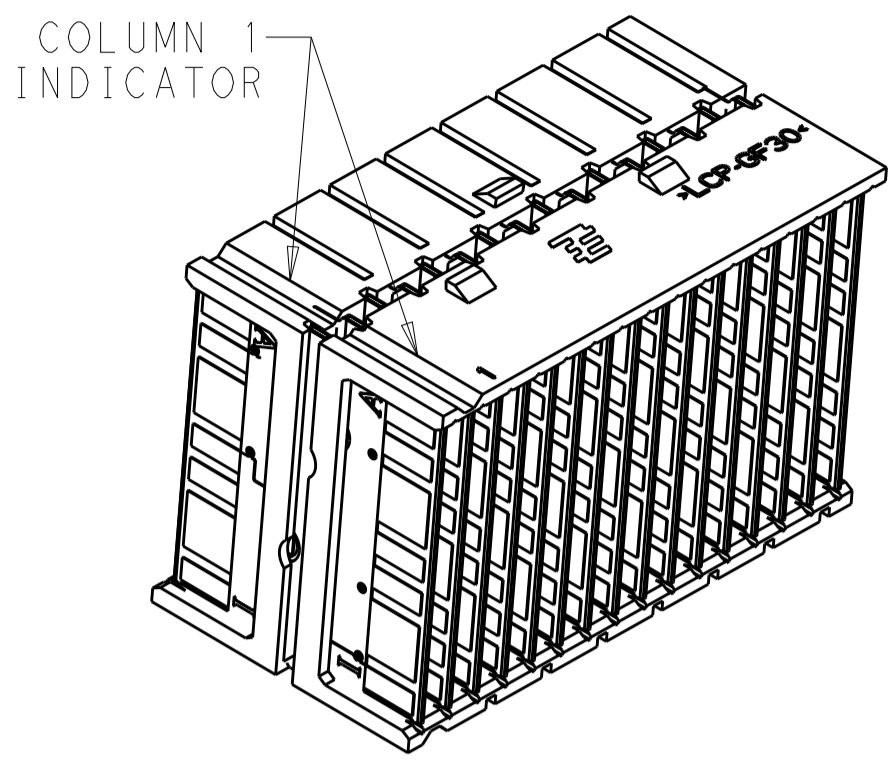
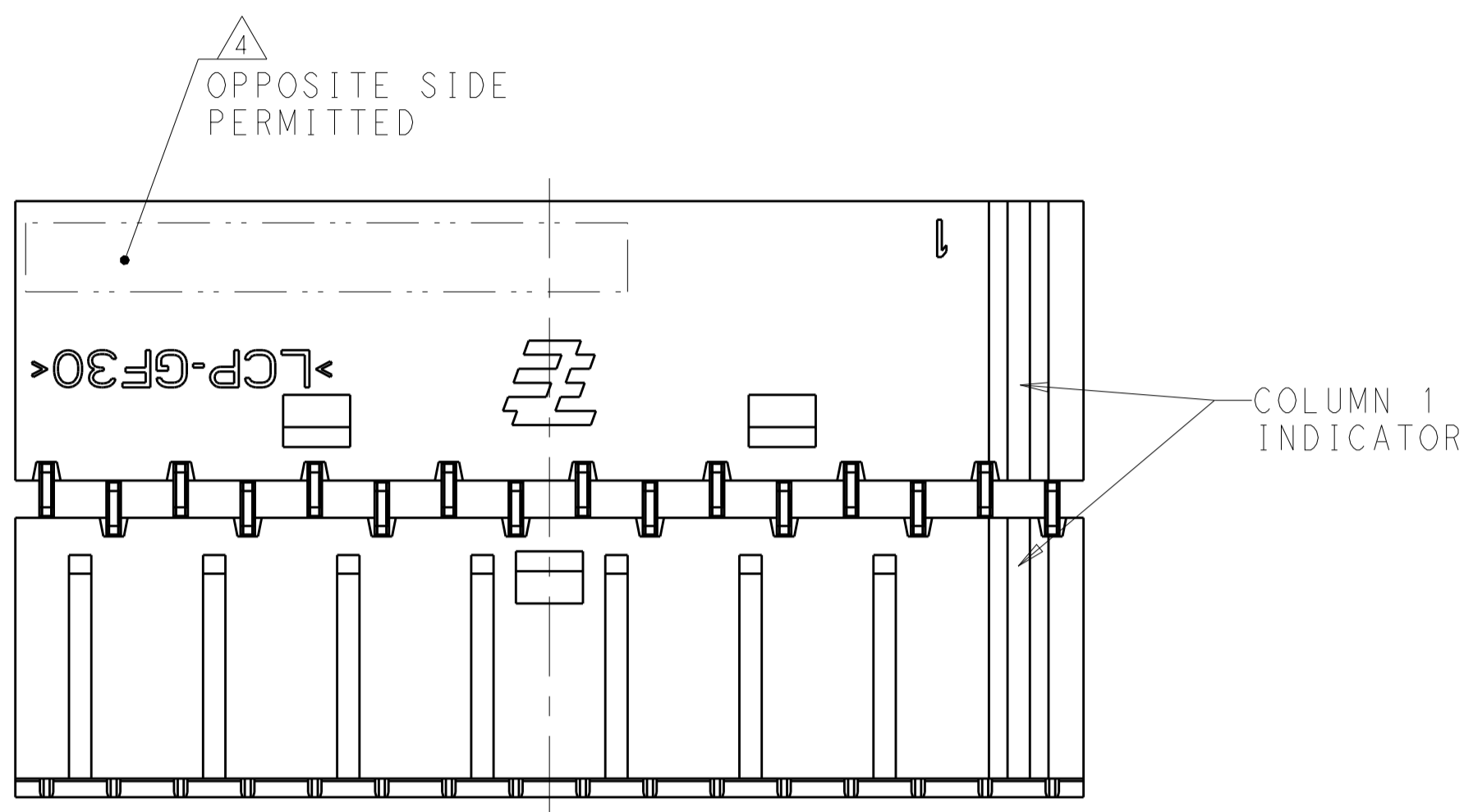


LOC		DIST		REVISIONS			
P	LTN	DESCRIPTION	DATE	DWN	APVD		
A		RELEASED PER ECO-13-007603	06MAY2013	KM	DH		



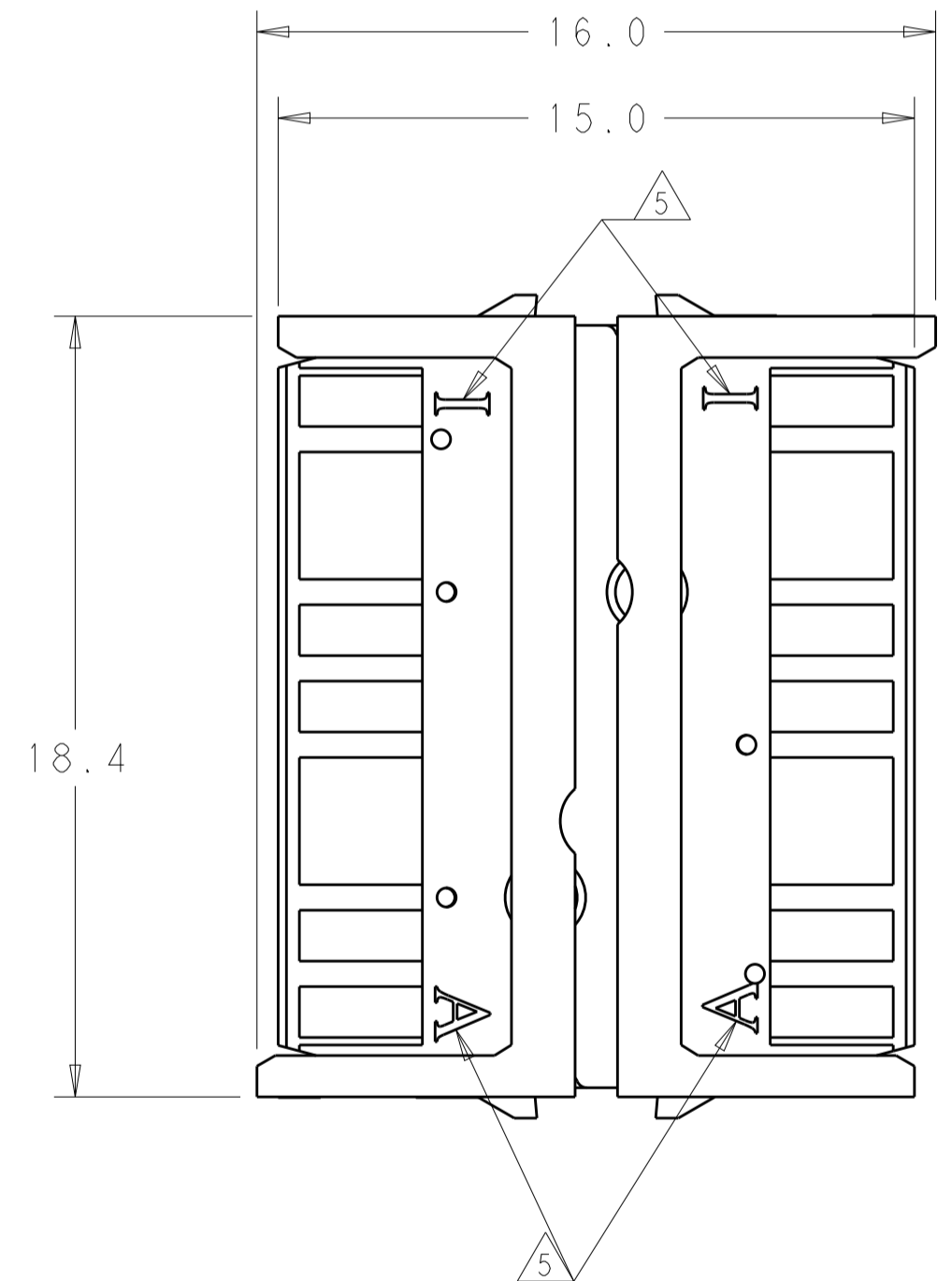
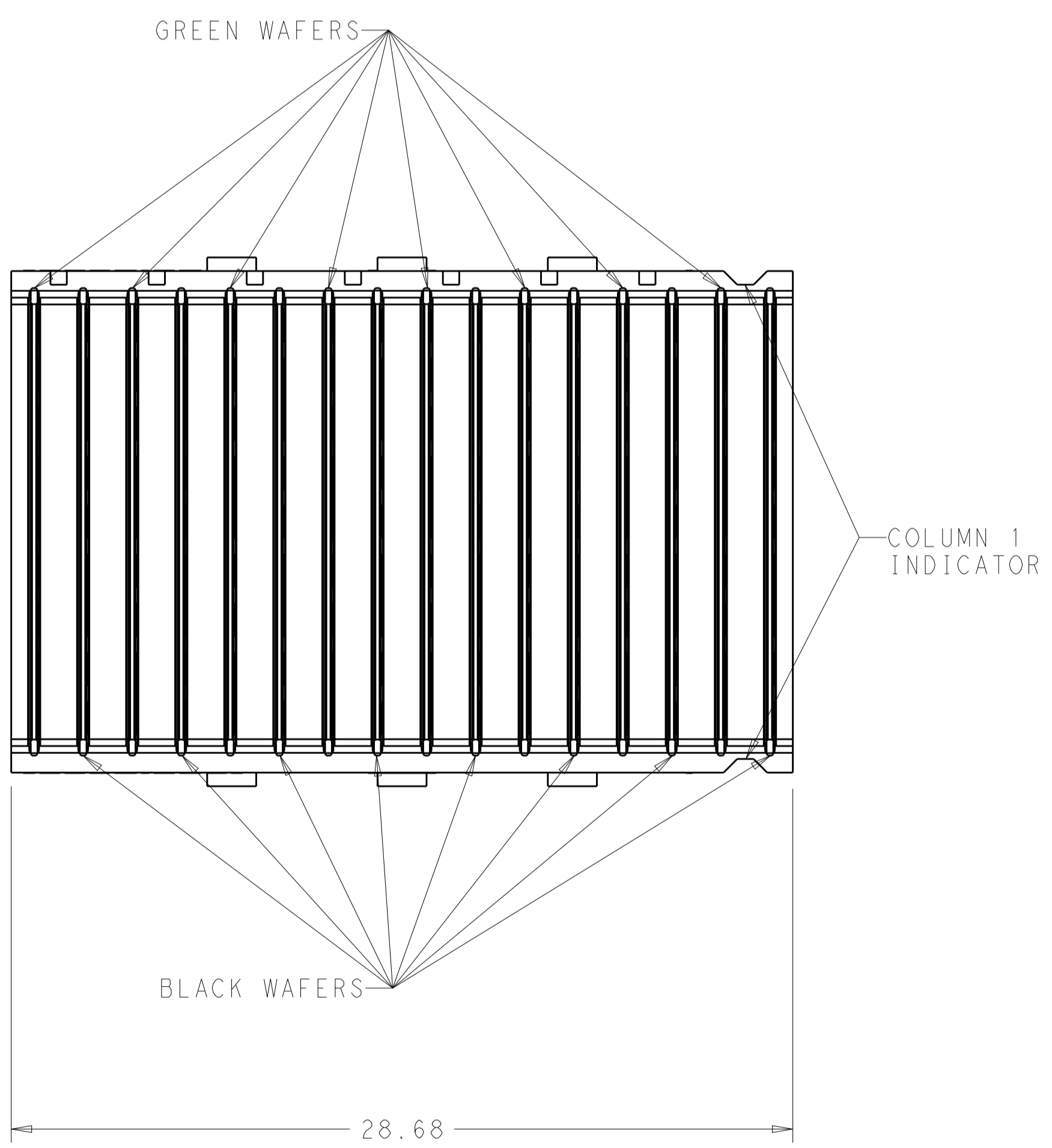
SCALE 3:1



- 1 HOUSING: LCP, UL94V0, COLOR: BLACK. WAFER: FR4.
- 2 CONTACT: 1.27µm MIN GOLD PLATED IN PAD CONTACT AREA OVER 3.81µm MIN NICKEL
- 3. SEE TABLE FOR INTERCONNECTIONS TO BACKPLANE CONNECTOR.
- 4 PART NUMBER AND DATE CODE (yyww) LOCATED ON SURFACE INDICATED.
- 5 ROW INDICATORS

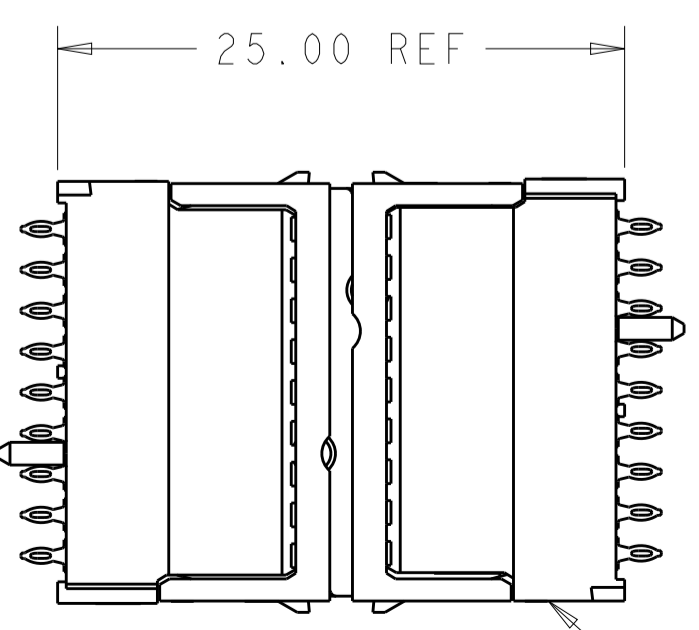
TYPICAL INTERCONNECTIONS FOR EACH ODD-NUMBERED COLUMN (BLACK WAFER): 1, 3, 5, 7, 9, 11, 13, 15

CONTACT USAGE	DAUGHTERCARD/ MAIN CARD	MEZZANINE/ CARRIER CARD
SIGNAL PAIR	ax	ax
	bx	bx
SIGNAL PAIR	ex	ex
	fx	fx
SIGNAL	ix	ix
GROUPS ALL COMMONED	cx, dx, gx, hx	cx, dx, gx, hx



TYPICAL INTERCONNECTIONS FOR EACH EVEN-NUMBERED COLUMN (GREEN WAFER): 2, 4, 6, 8, 10, 12, 14, 16

CONTACT USAGE	DAUGHTERCARD/ MAIN CARD	MEZZANINE/ CARRIER CARD
SIGNAL PAIR	cx	cx
	dx	dx
SIGNAL PAIR	gx	gx
	hx	hx
GROUPS ALL COMMONED	ax, bx, ex, fx, ix	ax, bx, ex, fx, ix



SCALE 3:1

2226027-1
PART NO

THIS DRAWING IS A CONTROLLED DOCUMENT.		DWN: K. MILLER 10MAY2012	TE Connectivity MEZZANINE CONNECTOR, 25mm STACK HEIGHT, DIFFERENTIAL, 16 WAFER VITA 46, 7 RW, MULTIGIG RT2
DIMENSIONS: mm		CHK: K. THACKSTON 17MAY2012	
TOLERANCES UNLESS OTHERWISE SPECIFIED:		APVD: M. MCALONIS 16OCT2012	
0 PLC ±0.5 2 PLC ±0.13 3 PLC ±0.013 4 PLC ±0.001 ANGLES ±0.001		PRODUCT SPEC: 108-2072 APPLICATION SPEC: 114-13056 WEIGHT: -	
MATERIAL: 1	FINISH: 2	Customer Drawing	SIZE: A1 CAGE CODE: 2226027 SCALE: 6:1 SHEET 1 OF 1 REV A