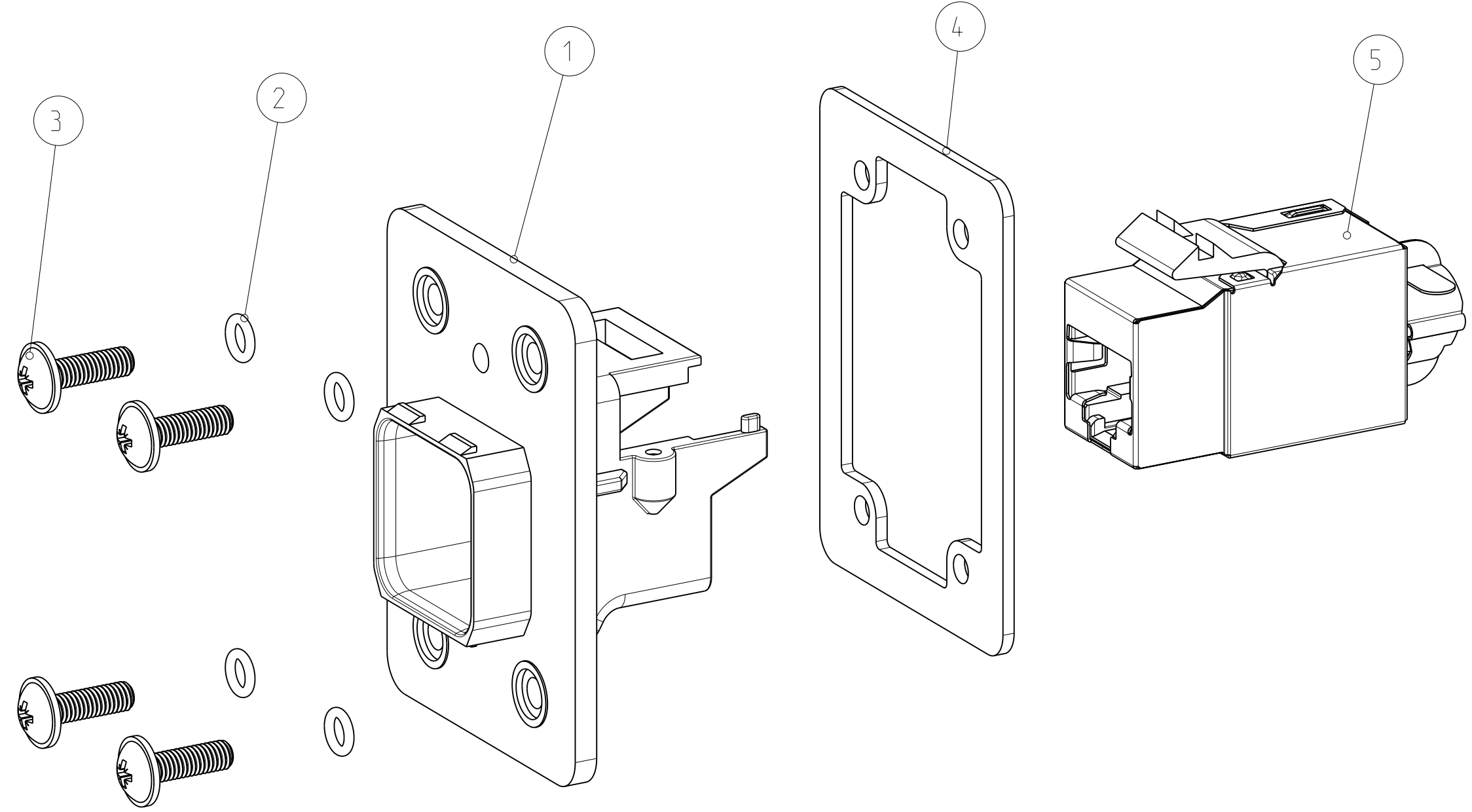


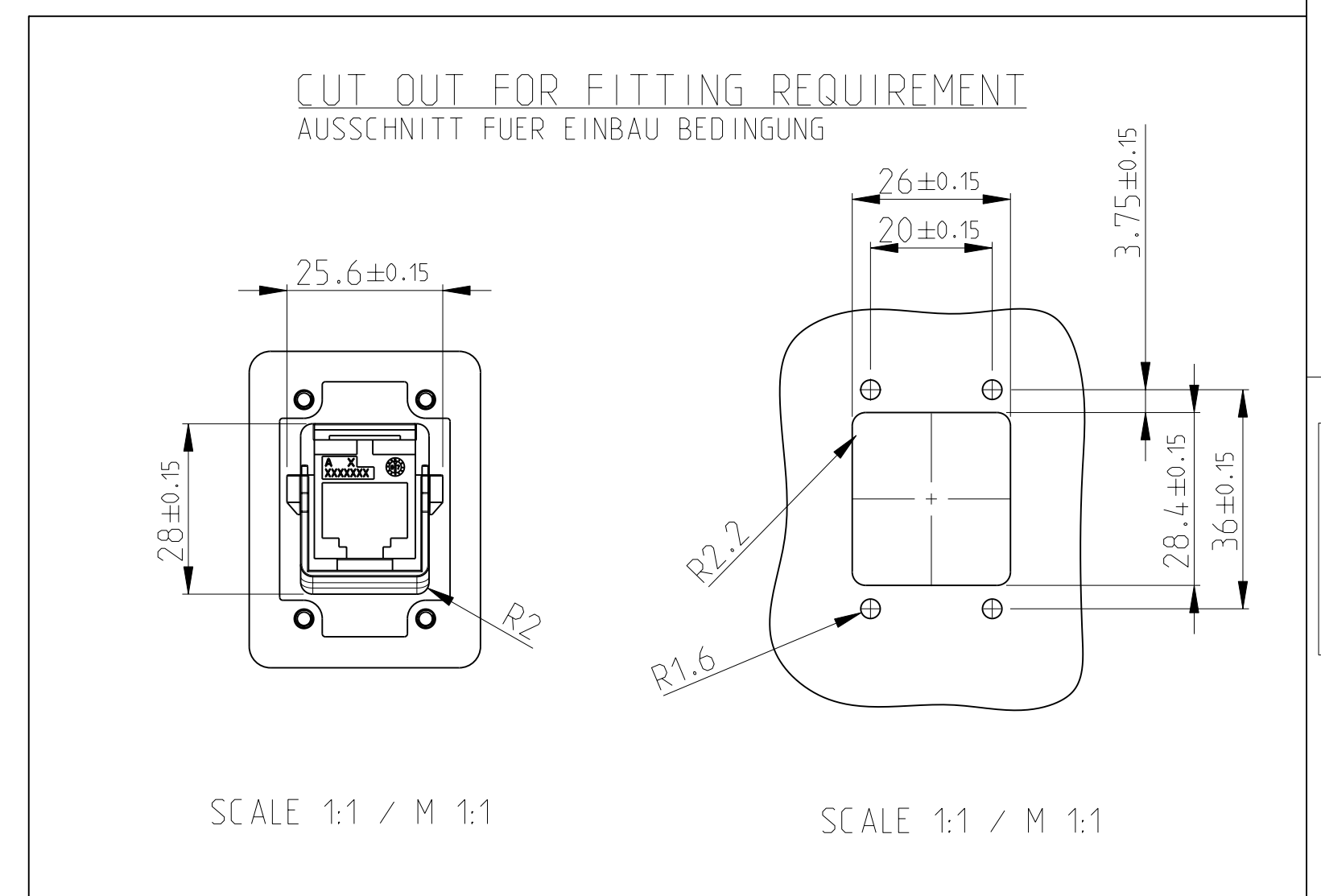
THIS DRAWING IS UNPUBLISHED. RELEASED FOR PUBLICATION 2008
 © COPYRIGHT 2008 BY TYCO ELECTRONICS CORPORATION. ALL RIGHTS RESERVED.

LOC	DIST	REVISIONS			
P	LTR	DESCRIPTION	DATE	DWN	APVD
A1		NEW DRAWING PUBLISHED	21NOV2008	N.T.	R.K.
A2		ECR-08-030470	08DEC2008	N.T.	R.K.
A3		ECR-09-012142	28MAY2009	N.T.	T.K.



SINGLE PACKING: PLASTIC BAG (MINI GRIP) WITH MANUAL.
 MULTI PACKING: 50 PIECE ITEM NO. 1 IN CORD TENSIONING BAG+
 200 PIECE ITEM NO. 2 IN PLASTIC BAG (MINI GRIP) +
 200 PIECE ITEM NO. 3 PLASTIC BAG (MINI GRIP) +
 50 PIECE ITEM NO. 4 PLASTIC BAG (MINI GRIP) +
 50 PIECE ITEM NO. 5 FOLDING BOX +
 PACKED IN CORRUGATED SHIPPING BOX WITH MANUAL.

EINZELVERPACKUNG: KUNSTSTOFFBEUTEL (MINI GRIP) MIT ANLEITUNG.
 MEHRFACHVERPACKUNG: 50 STUECK POS. 1 IN KORDELZUG BEUTEL +
 200 STUECK POS. 2 IN KUNSTSTOFFBEUTEL (MINI GRIP) +
 200 STUECK POS. 3 IN KUNSTSTOFFBEUTEL (MINI GRIP) +
 50 STUECK POS. 4 IN KUNSTSTOFFBEUTEL (MINI GRIP) +
 50 STUECK POS. 5 IN FALTSCHACHTEL +
 VERPACKT IN VERSANDKARTON MIT ANLEITUNG.



QTY	REQD	PER	ASSY	REV	DESCRIPTION	ITEM NO
-	-	1	1	-	MANUAL	6
-	-	50	1	-	ASSEMBLY SL 110 JACK, SHIELD, CAT 5e	5
-	-	50	1	-	FLAT GASKET FOR IP67 PUSH-PULL FRAME	4
-	-	200	4	-	ROUND HEAD SCREW Mx3	3
-	-	200	4	-	O-RING SEAL FOR IP67 PUSH-PULL FRAME	2
-	-	50	1	-	FRAME, PUSH-PULL, IP67	1
-	-	-2	-1	DWG. SIZE	PARTNUMBER	DESCRIPTION
-	-	-	-	←	REVISION OF EACH ASSY NO. (WHEN BLANK, USE DWG. REVISION)	

<small>THIS DRAWING IS A CONTROLLED DOCUMENT FOR TYCO ELECTRONICS CORPORATION. IT IS SUBJECT TO CHANGE AND THE CONTROLLING ENGINEERING ORGANIZATION SHOULD BE CONTACTED FOR THE LATEST REVISION.</small>		DWN 21NOV2008 N.Thirunavukkarasu CHK W. BOECK 21NOV2008 APVD R. KRAEMER 21NOV2008	Tyco Electronics Tyco Electronics AMP GmbH 64625 Bensheim (Germany)
DIMENSIONS: mm 	TOLERANCES UNLESS OTHERWISE SPECIFIED: 0 PLC ±- 1 PLC ±- 2 PLC ±- 3 PLC ±- 4 PLC ±- ANGLES ±1° FINISH	NAME ASSY, IP65/67 CAT5 PUSH-PULL FRAME ASSY, IP65/67 CAT5 PUSH-PULL RAHMEN PRODUCT SPEC 108-94207 APPLICATION SPEC - WEIGHT - CUSTOMER DRAWING	SIZE A2 CAGE CODE 00779 DRAWING NO 1987674 RESTRICTED TO - SCALE 2:1 SHEET 1 OF 1 REV A3