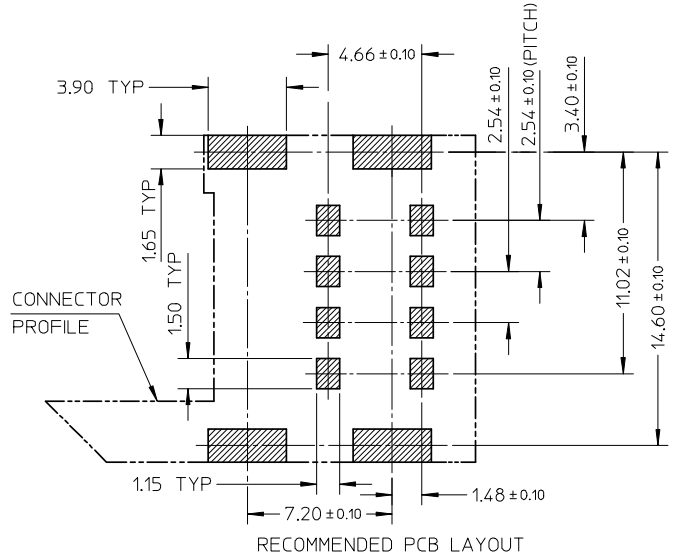


NOTE:

- MATERIAL:  
HOUSING:LCP,45% GLASS-FILLED,UL 94V-0,COLOR IS BLACK.  
TERMINAL:BeCu C17200(290) TM06,THICKNESS IS 0.12mm.  
SHELL:STAINLESS STEEL,THICKNESS IS 0.15mm.
- FINISH:  
TERMINAL:  
CONTACT AREA:SELECTIVE 0.75 TO 1.25 MICRON GOLD .  
SOLDER TAIL:0.05 TO 0.125 MICRON GOLD FLASH.  
UNDERPLATING ALL OVER 1.25 TO 3.75 MICRON NICKEL.
- GUIDE RAIL:  
SELECTIVE 0.05 TO 0.125 MICRON GOLD FLASH OVER  
1.25 TO 3.75 MICRON NICKEL ON SOLDER TAIL AREA.
- COPLANARITY:0.1MM MAX. AMONG THESE SOLDER TAILS.
- PRODUCT SPECIFICATION:PS-47468-001.
- DATE CODE(4 DIGITS)  
EXAMPLE  
2006/01/15 → 6015  
2006/02/10 → 6041  
2007/03/10 → 7069  
DAY COUNTED FROM FIRST DAY OF THE YEAR  
YEAR
- THE PART 474688001 COMPLIANT TO RoHS DIRECTIVE 2002/95/EC AND ELV 2000/53/EC.



NEW RELEASE EC NO: SH2008-0466 DRWN:HPQIAN 2008/03/24 CHKD:RZHANG 2008/03/24 APPR:HWANG 2008/06/12	QUALITY SYMBOLS ▽=0 ⊕=0	GENERAL TOLERANCES (UNLESS SPECIFIED)		DIMENSION STYLE MM ONLY		SCALE 4:1	DESIGN UNITS METRIC	THIRD ANGLE PROJECTION		
			mm	INCH	DRAWN BY HPQIAN	DATE 2008/03/04	TITLE 8 PIN MEGA SIM WITH GUIDE RAIL			
		4 PLACES	± ---	± ---	CHECKED BY RZHANG	DATE 2008/03/04	MOLEX INCORPORATED			
		3 PLACES	± ---	± ---	APPROVED BY HARVEY	DATE 2008/03/04				
	ANGULAR ± 2 °		MATERIAL NO. 474688001	DOCUMENT NO. SD-47468-801		SHEET NO. 1 OF 1				
	DRAFT WHERE APPLICABLE MUST REMAIN WITHIN DIMENSIONS		SIZE A3	THIS DRAWING CONTAINS INFORMATION THAT IS PROPRIETARY TO MOLEX INCORPORATED AND SHOULD NOT BE USED WITHOUT WRITTEN PERMISSION						