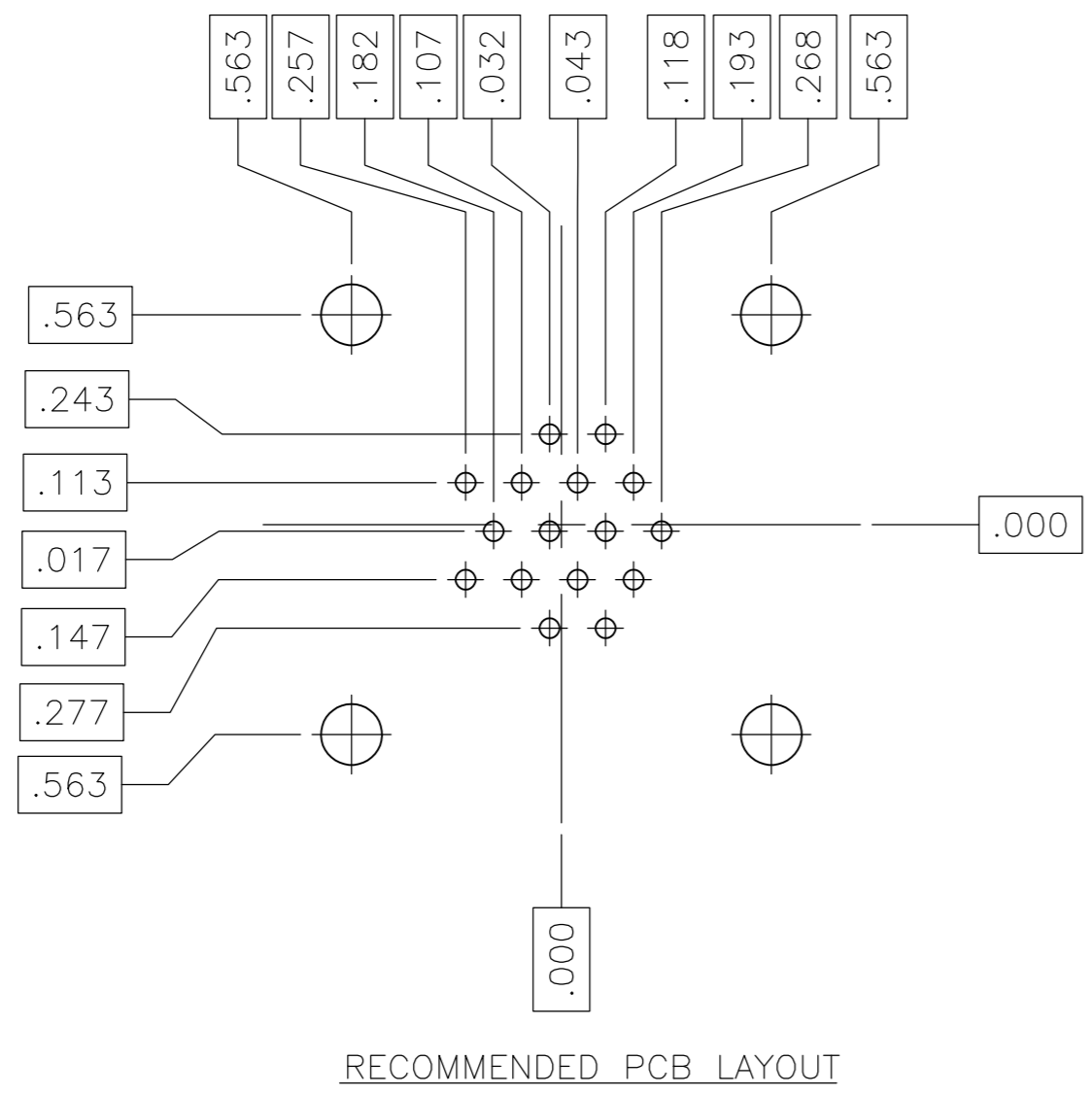
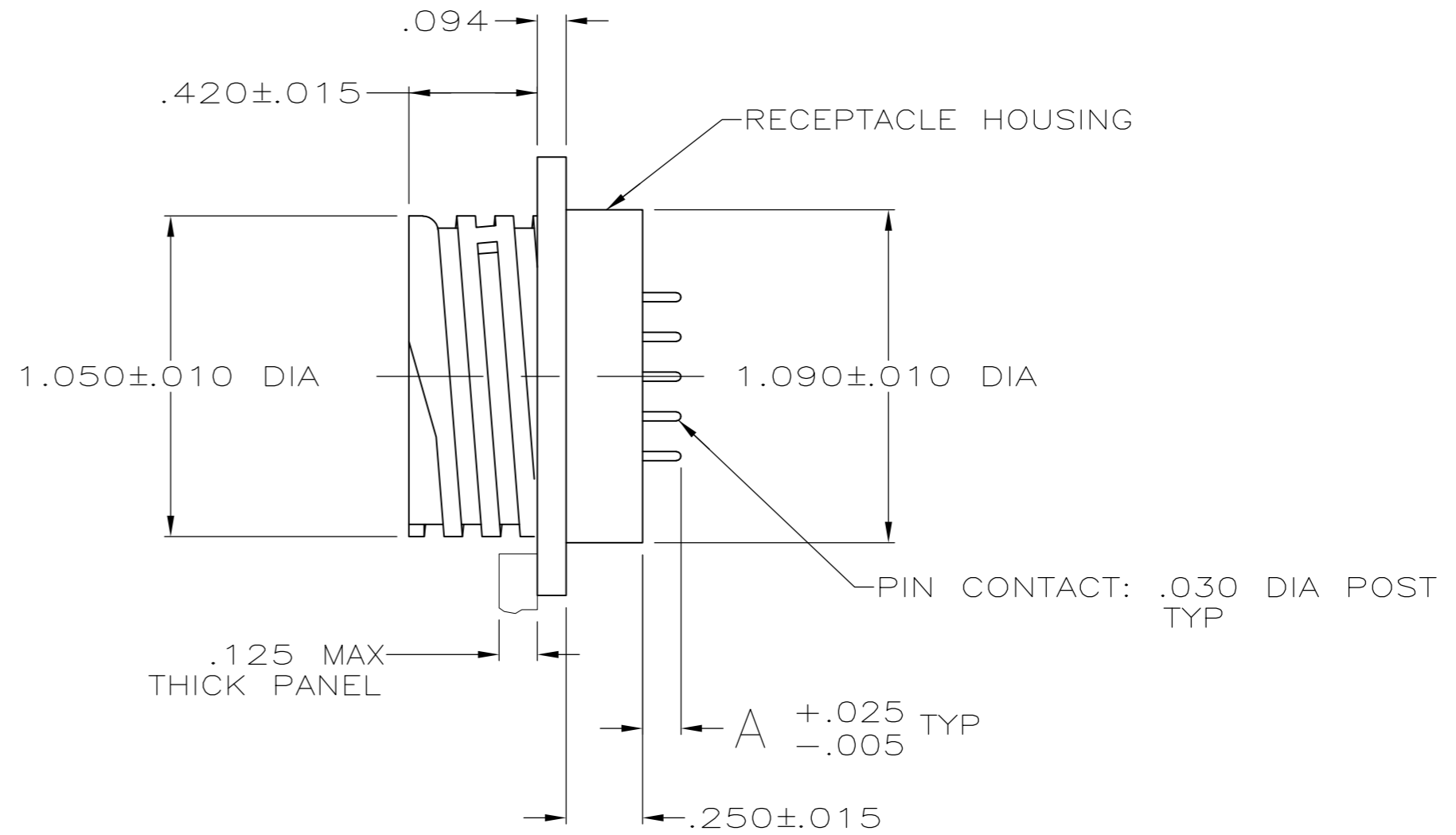
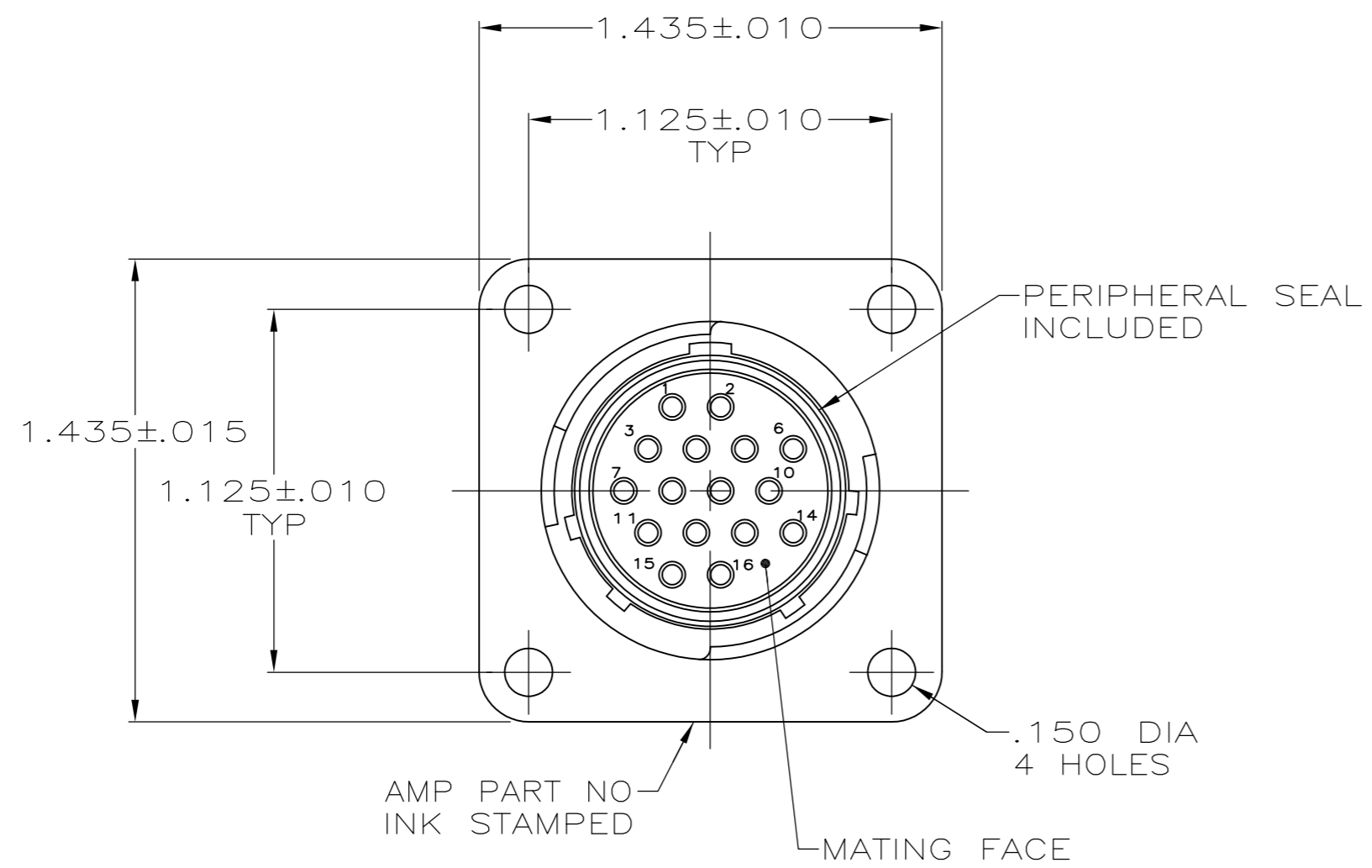


THIS DRAWING IS UNPUBLISHED. RELEASED FOR PUBLICATION
 © COPYRIGHT - By - ALL RIGHTS RESERVED.

REVISIONS					
P	LTR	DESCRIPTION	DATE	DWN	APVD
F		REVISED PER 0G3B-0147-03	5/23/03	SS	SH
G		REVISED PER ECO-17-000037	10MAR2017	RS	MZ



OBSOLETE	.175	4	207292-4
	.175	3	207292-3
	.125	4	207292-2
	.125	3	207292-1
A		FINISH	PART NUMBER

- 1 NYLON, UL 94V-0 RATED, BLACK.
- 2 BRASS.
- 3 .000100 MIN TIN PER MIL-T-10727 OVER NICKEL FLASH PER QQ-N-290.
- 4 .000030 MIN GOLD PER MIL-G-45204 OVER .000030 MIN NICKEL PER QQ-N-290.

THIS DRAWING IS A CONTROLLED DOCUMENT.

DWN: J GALLUCCI BG 5-22-91
 CHK: R.STONE 3-4-92

TE Connectivity

POSTED RECEPTACLE ASSEMBLY, STD SEX, SERIES 1, 17-16, CPC

SCALE: 2:1 SHEET: 1 of 1 REV: G

CUSTOMER DRAWING