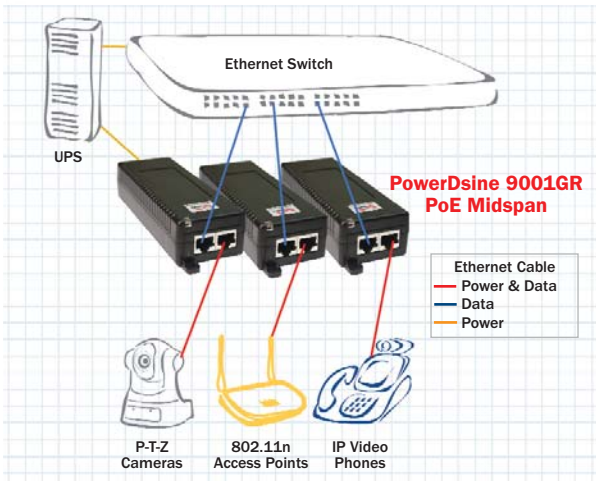


# PowerDsine® 9001GR

Single-port High Power Midspan, 802.3at Compliant, up to Gigabit PoE



## Overview

The PowerDsine 9001GR is a single port, high-power solution for remote powering of current and emerging high power applications. Generating up to 30W, the 9001GR enables remote power for a new range of applications including 802.11n Access Points, pan-tilt-zoom (PTZ) cameras and video-phones. It complies to IEEE 802.3at PoE standard and is backward compatible to IEEE802.3af. It can power both existing 10/100Base-T network devices and emerging wireless 1000Base-T devices such as WiMAX and wireless IEEE 802.11n access points.

## PD-9001GR Features

- IEEE 802.3at compliant with 2-event classification
- IEEE 802.3af backward compatible
- Output power of 30W is guaranteed
- Supports 10/100/1000Base-T applications
- Compatible with IEEE 802.3af devices and pre standard devices
- Safe: low power devices receive only the power they need
- Automatic Detection and Protection of non-standard Ethernet terminals
- Compact design fits easily in WLAN Access Point and IP Cameras installations

## PD-9001GR Specifications

<b>No. of Ports</b>	1
<b>Pass Through Data Rates</b>	10/100/1000 Mbps
<b>Power over Ethernet Output</b>	Pin Assignment and Polarity: 4/5 (+), 7/8 (-) Output Power Voltage: 55Vdc Output Power: 30 Watts (Guaranteed)
<b>Input Power Requirements</b>	AC Input Voltage: 100 to 240 Vac AC Input Current: 0.8A @ 100-240 Vac AC Frequency: 50 to 60 Hz
<b>Dimensions</b>	53 mm (W) x 32.5 mm (H) x 140 mm (L) 2.09 in. x 1.28 in. x 5.5 in
<b>Weight</b>	0.44 lbs (200g)
<b>Indicators</b>	AC Power (Yellow) Channel Power (Green)
<b>Connectors</b>	Shielded RJ-45, EIA 568A and 568B
<b>Environmental Conditions</b>	Operating Ambient Temperature: 32° to 104°F (0 to 40°C) Operating Humidity: Maximum 90%, Non-condensing Storage Temperature: -4° to 158°F (-20° to 70°C) Storage Humidity: Maximum 95%, Non-condensing Operating Altitude: -1000 to 10,000 ft. (-304.8 to 3048 m)
<b>Reliability</b>	MTBF: min 100,000 hrs. @25°C
<b>Thermal Rating</b>	20 BTU/Hr (@240VAC)
<b>Warranty</b>	1-year
<b>Regulatory Compliance</b>	IEEE 802.3at (PoE), RoHS Compliant WEEE Compliant, CE
<b>Electromagnetic Emission &amp; Immunity</b>	FCC Part 15, Class B EN 55022 Class B (Emissions) EN 55024 (Immunity), VCCI
<b>Safety Approvals</b>	UL/cUL Per IEC 60950-1 GS Mark Per IEC 60950-1

## Ordering Information



Part Number	Name	Description
PD-9001GR/AC	PowerDsine 9001GR	1-port IEEE 802.3at Gigabit Midspan