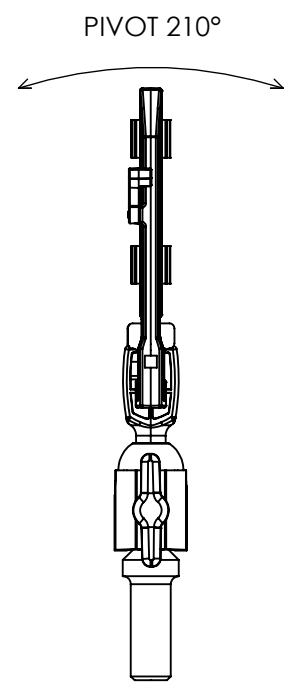
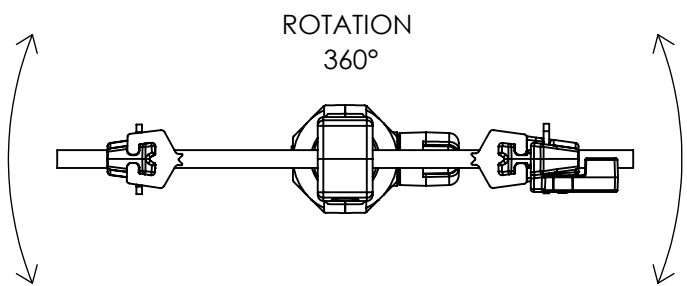


8 7 6 5 4 3 2 1

REVISIONS				
ZONE	REV.	DESCRIPTION	DRAWN/DATE	APPROVED/DATE
	PR1	INITIAL RELEASE OF PRODUCT SPECIFICATIONS	IM 10/04/2017	



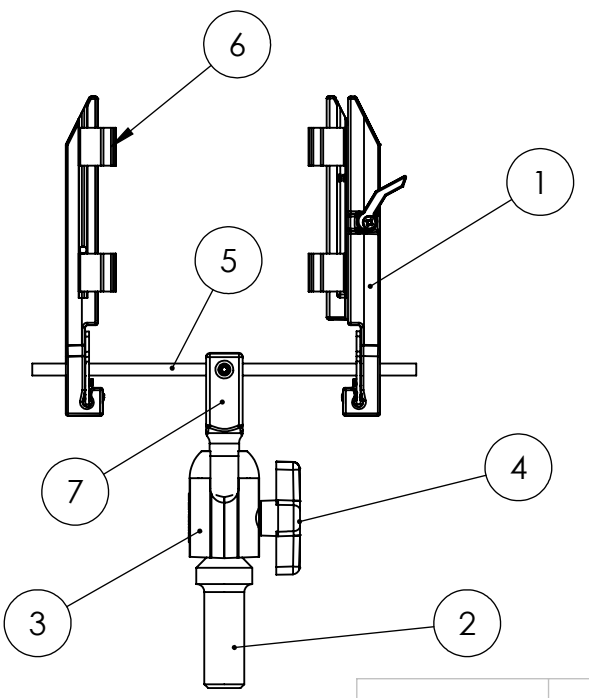
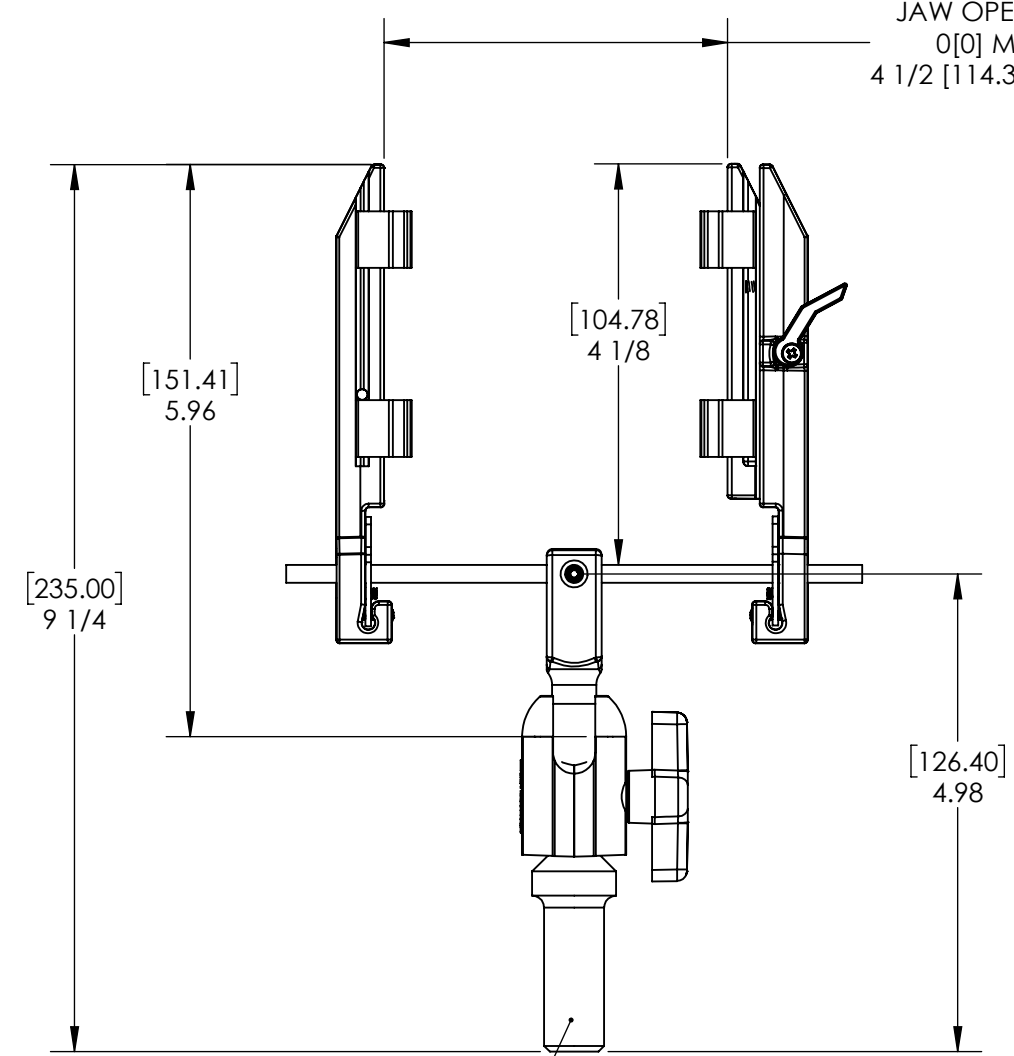
SPECIFICATIONS

OVERALL HEIGHT:9 1/4 [235.00]
 ROTATION:360 DEGREES
 SWIVEL:360 DEGREES
 PIVOT:210 DEGREES
 SHIPPING WEIGHT:0.6 POUNDS [.27KG]
 VISE OPENING:4 1/2 [114.30] MAXIMUM
 JAW HEIGHT:4 1/8 [104.78]

MATERIAL

1. VISE ARM PAIR ASSY: ALUMINUM #380 DIE CAST
2. 5/8" ADAPTER SHAFT: 6061-T6 ALUMINUM - CLEAR ANODIZE
3. BALL JOINT KNUCKLES: #3 ZINC DIE CAST SILVER PAINT
4. KNOB: KNUCKLE ASSEMBLY ZINC DIE CAST PAINTED BLACK
1/4-28 X 7/8 STEEL SOCKET SCREW BLACK OXIDE
5. CROSS BAR: ZINC-PLATED STEEL
6. STANDOFFS: SILICONE RUBBER, BLACK, SHORE 80±5
7. BALL: PA6+30%GF-BLACK

JAW OPENING
0[0] MIN
4 1/2 [114.30] MAX



5/8" SHAFT FOR USE
IN 300 SERIES BASE

PROPRIETARY AND CONFIDENTIAL
 THE INFORMATION CONTAINED IN THIS DRAWING IS THE SOLE PROPERTY OF PANAVISE PRODUCTS INC. ANY REPRODUCTION IN PART OR AS A WHOLE WITHOUT THE WRITTEN PERMISSION OF PANAVISE PRODUCTS INC IS PROHIBITED.

UNLESS OTHERWISE SPECIFIED:		NAME	DATE	<p>7540 Colbert Drive, Reno, Nevada 89511-1225 Phone (775) 850-2900 Fax (775) 850-2929</p> <p>TITLE: MODEL 217 SPEC SHEET</p>	
DIMENSIONS ARE IN INCHES		DRAWN	IM		100417
TOLERANCES:		CHECKED			
FRACTIONAL ±1/64		ENG APPR.			
ANGULAR:		MFG APPR.			
MACH ±1/2° BEND ±1°		Q.A.			
TWO PLACE DECIMAL ±01		COMMENTS:			
THREE PLACE DECIMAL ±.005					
INTERPRET GEOMETRIC TOLERANCING PER: ASME 14.5M -2009					
MATERIAL					
NEXT ASSY	USED ON	FINISH			
APPLICATION		DO NOT SCALE DRAWING			

SIZE **B** DWG. NO. **217 SP** REV **PR1**
 SCALE: 1:2 WEIGHT: SHEET 1 OF 1

8 7 6 5 4 3 2 1