

PART NAME: KNOB

SCALE: 1:1

DATE: 6/26/90

DR. BY HD



DESIGNERS & MANUFACTURERS OF KNOBS, HANDLES, CASES & CUSTOM PLASTIC COMPONENTS

P/N 3081-K

THIS DRAWING IS THE PROPERTY OF DAVIES MOLDING COMPANY, IS SUBMITTED SOLELY AS A DESIGN OR ENGINEERING PROJECT. WE ACCEPT NO RESPONSIBILITY WHATSOEVER FOR THE PRACTICAL APPLICATION OF THE PIECES MADE TO THIS DESIGN.

M<sup>NO.</sup> FRAME NO. 23

CAVITY 3081

CORE 3081

BUSHING 3081-3

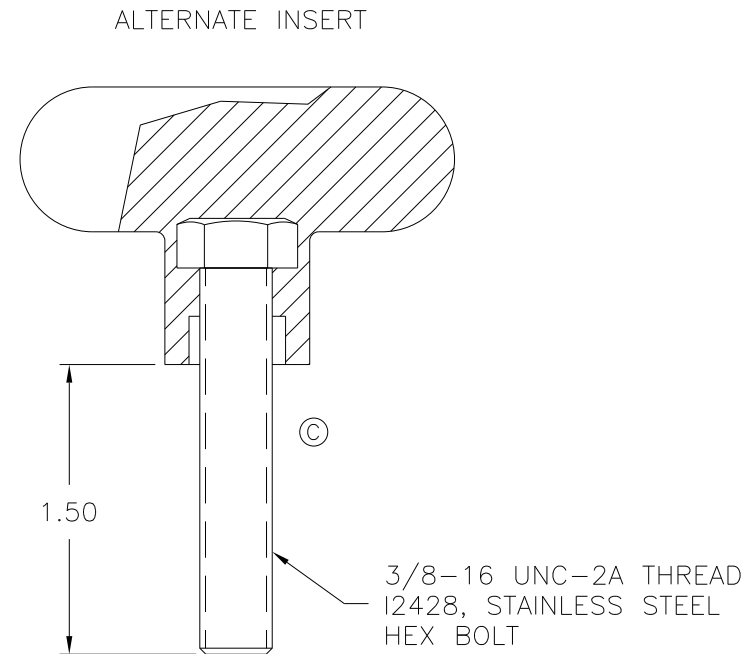
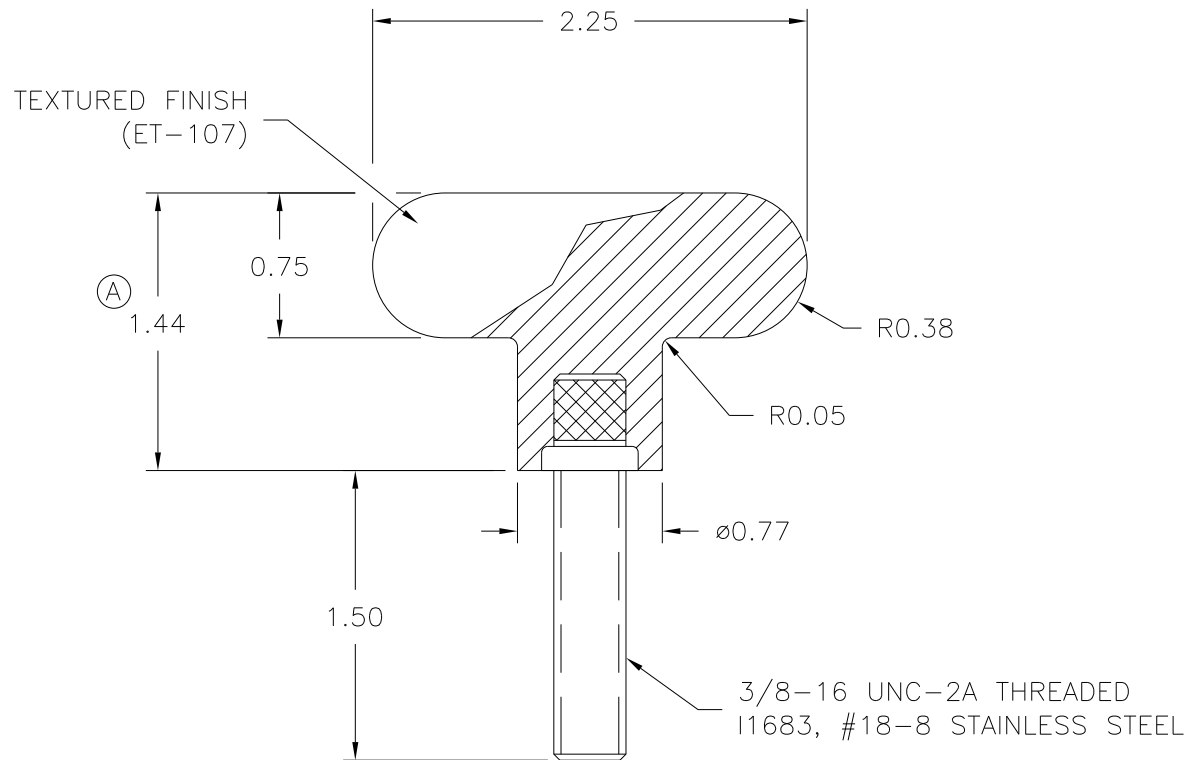
INSERT I1683

©

ALTERNATE SET-UP

PIN 3081-K

INSERT I2428



MATERIAL: POLYPROPYLENE (CLD) (B)  
 COLOR: BLACK

C	ADDED ALT. INSERT	JAM	10/20/10
B	ADDED MAT. CODE	DS	1/26/07
-	REMOVED TUBE NOTE	TL	8/13/99
-	RE-DID REDRAW	TL	8/2/99
A	1.44 WAS 1.38	HD	7/5/96
-	CAD/REDRAWN	HD	5/8/93

TOLERANCES: UNLESS OTHERWISE SPECIFIED	DO NOT SCALE DRAWING
DECIMALS: X.XXX ± .005 X.XX ± .015	MM: X.XX ± 0.15MM X.X ± 0.4MM
FRACTIONS ± 1/64	ANG. ± 1°

CHANGES