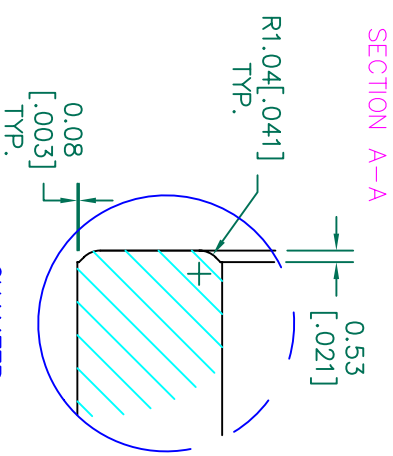
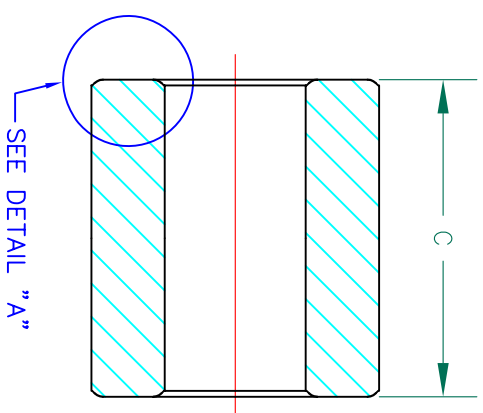
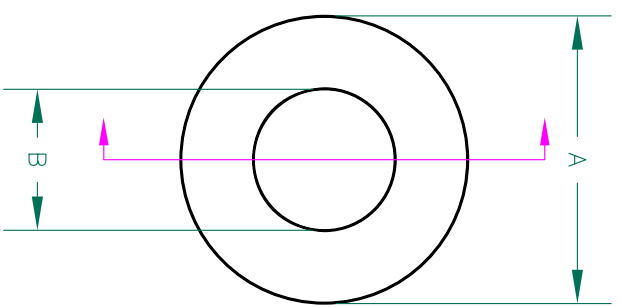
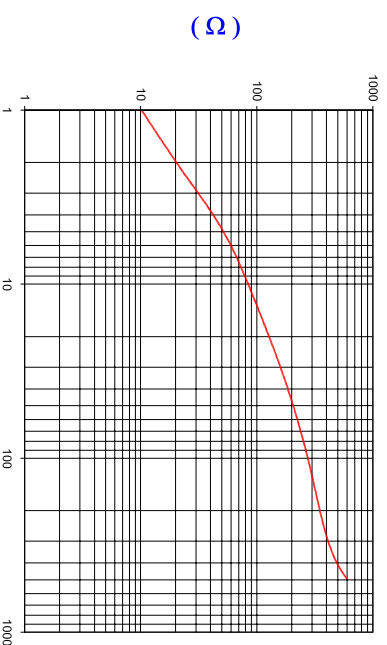


IMPEDANCE (Z)			
Frequency	25 MHz	100 MHz	300 MHz
Nominal (REF)	147 Ω	276 Ω	412 Ω
Minimum	- Ω	220 Ω	- Ω

Z vs. FREQUENCY
(REF. ONLY)



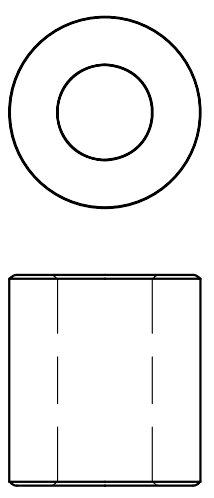
CHAMFER
DETAIL A
SCALE 3:1

AGILENT E4991A Impedance/Material Analyzer
HP 16092A-Test Fixture

**UNCONTROLLED
DOCUMENT**

NOTE:
1. BARE CORE: 28B1020-100
2. DLB SPEC (BLACK EPOXY COATING): 500VAC MIN @ 6.17LBS

SCALE DRAWING 1:1



28B1020-10G

DIMENSIONS ARE IN mm [INCHES]:

FERRITE CORE DIMENSIONS (SPEC): mm [in]	
A	25.99 [1.023] ± 0.50 [0.002]
B	12.75 [0.502] ± 0.35 [0.014]
C	28.66 [1.128] ± 0.80 [0.032]
WEIGHT/1000	56.01 kgs [123.49 Lbs]

This print is the property of Laird Tech. and is loaned in confidence subject to return upon request and with the understanding that no copies shall be made without the written consent of Laird Tech. All rights to design or invention are reserved.



REV	DESCRIPTION	DATE	INT	CAD #	TOOL #	MATERIAL
A	ORIGINAL DRAFT	01/04/10	Jcai	28B1020-10G-A	B1020	FERRITE

PROJECT/PART NUMBER:	28B1020-10G
DATE:	01/04/10
SCALE:	1.5 : 1
REV:	A
PART TYPE:	FERRITE CORE
DRAWN BY:	Jcai