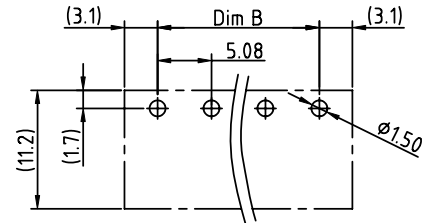
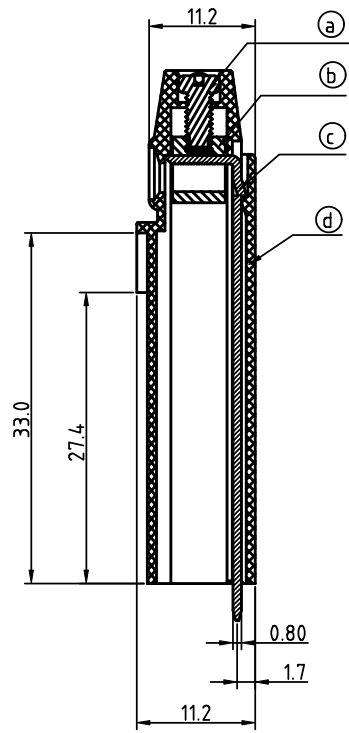
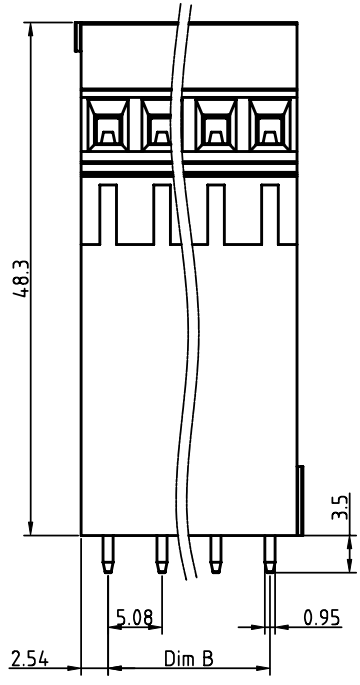
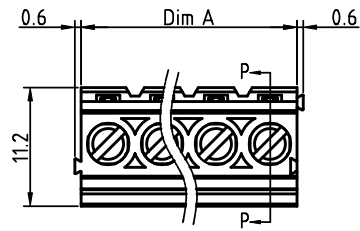


PRODUCT NUMBER	PITCH
YRxx21x000J0G	5.08mm



RECOMMENDED P.C.B LAYOUT  
TOP VIEW

Material

- Item (a) Terminal screw: Steel Zinc plating "-" slot type
- Item (b) Clamp : Brass , Ni plating
- Item (c) Solder pin : Brass, Tin plated
- Item (d) Terminal housing : Thermoplastic (UL94V-0)

Electrical

- Voltage rating: 300VAC
- Current rating: 10A
- Wire range:
- Solid wire(AWG): 12-24
- Stranded wire(AWG): 12-24
- Torque(Lb-In): 3.5
- Screw: M2.5
- Wire strip length: 6-7mm
- Withstanding Voltage: 1.6KV
- Operating temperature: -40°C to +115°C
- Soldering temperature: 260°C±5°C/5 Sec

PART NO.: YR xx 2 1 x 0 00J0 G

Dimension A&B

DIM A	N×5.08
DIM B	(N-1)×5.08

N=Number of poles

Poles	DimA&B Tolerance
2-6p	±0.15
7-12p	±0.25
13-18p	±0.35
19-24p	±0.40

	Color	RoHS compliant (lead<4%) In copper Alloy
Solid block	0 Black (RAL9005)	
No. of poles	2 Red (RAL3001/D)	
02 2 poles	3 Orange(RAL2011/P)	
03 3 poles	4 Yellow(RAL1018/A)	
...	5 Green(RAL6018/T)	
24 24 poles	6 Blue (RAL5015/A)	
	8 Grey(RAL7035/D)	
	9 White(RAL1102)	
	C Green(RAL6018/U)	

mat'l. code		surface ASME Y14.5	tolerance ASME Y14.5	projection	product family
ltr ecn no dr date		tolerances unless otherwise specified			TERMINAL BLOCK
angles		X.±0.5		MM	title
%		X.X±0.3			TERMINAL BLOCK
X*±1"		X.XX±0.1		scale	RISING CLAMP,180D WIRE INLET,SOLID BLOCK
dr	EVIN ZHONG	041014			dwg no
enr	EVIN ZHONG	041014			sheet 1 of 1
chr	HANKE FENG	041014			size
appd	SHI JUN	041014			A4
sheet index	revision sheet	A	1		type
					CUSTOMER Drawing