

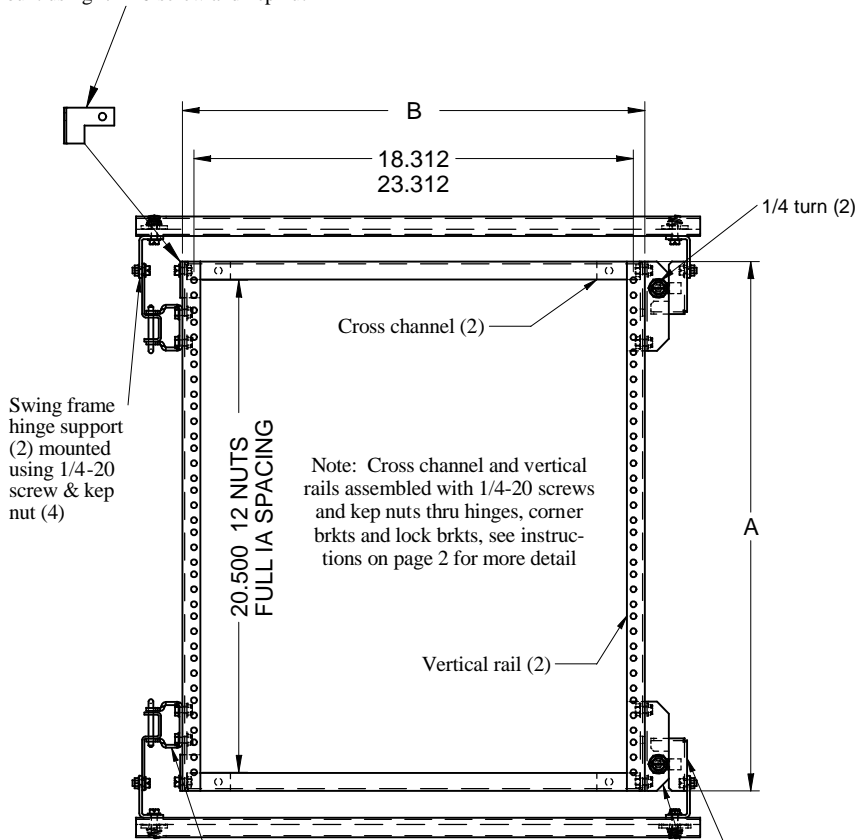
2000 CONSOLE- SERIES

ASSEMBLY INSTRUCTIONS FOR BASE SWING FREAME ASSEMBLY

BUL10061
REV. A
PAGE 1 OF 2

| PART NO. | A | B |
|----------|-------|--------|
| 2CSFB19 | 22.05 | 19.275 |
| 2CSFB24 | 22.05 | 24.275 |

Corner brkt hinge side top & bot. (2)
mount using 1/4-20 screw and kep nut



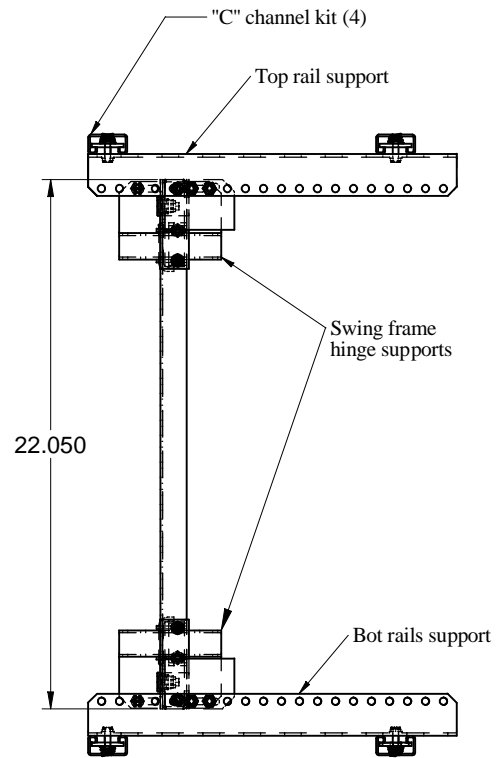
Note: Cross channel and vertical rails assembled with 1/4-20 screws and kep nuts thru hinges, corner brkts and lock brkts, see instructions on page 2 for more detail

Front view

Hinge mounted to frame(2)
using 1/4-20 screw & kep
nut (4) see page 2 for detail

Stop brkt (2)
mount using 1/4-20
screw and kep nut (4) see
page 2 for more detail

Locking brkt (2)
mount using 1/4-20
screw and kep nut (4) see
page 2 for more detail



Side view

TOOL BOX



3/8, 7/16" Socket
Wrench



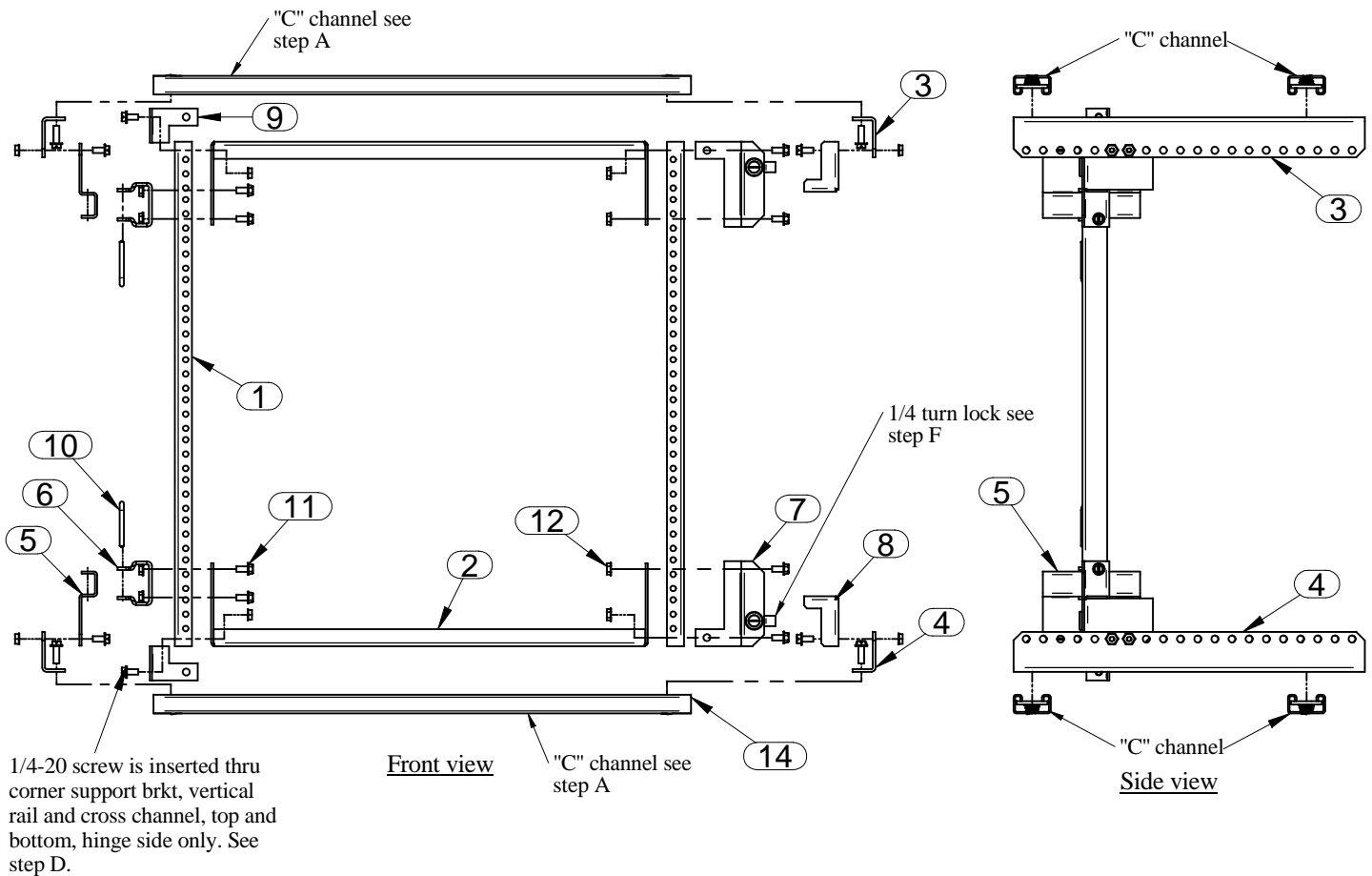
3/8, 7/16" Open
End Wrench



1/4 Slot Head
Screw Driver



visit our website @ www.hammondmfg.com



| PARTS LIST | | |
|------------|-------------------------------|-----|
| ITEM No. | DESCRIPTION | QTY |
| 1 | VERTICAL RAIL | 2 |
| 2 | CROSS CHANNEL | 2 |
| 3 | SUPPORT BRACKET TOP (NOT INC) | 2 |
| 4 | SUPPORT BRACKET BOTTOM | 2 |
| 5 | HINGE BRACKET | 2 |
| 6 | HINGE BRACKET | 2 |
| 7 | LOCKING BRACKET | 2 |
| 8 | STOP BRACKET | 2 |
| 9 | CORNER SUPPORT BRACKET | 2 |
| 10 | HINGE PIN | 2 |
| 11 | 1/4-20 SCREW | 16 |
| 12 | 1/4-20 KEP NUT | 16 |
| 13 | SPRING STEEL CATCH | 2 |
| 14 | 1/4-20 SPRING NUTS (NOT INC) | 8 |

ASSEMBLY INSTRUCTIONS:

- Mount C channel mounting kit as per instructions in 2CMC kit purchased separately
- Mount top and bottom support brkts (items 3 & 4) as shown above and also as shown in 2CBRSK kits purchased separately
- Mount hinge brkts (item 5) and stop brkts (item 8) onto rail supports top and bottom. Assemble using 1/4-20 screws and nuts (items 11 & 12). Note that frames can be mounted hinged left or right hand. Left hand hinge assembly shown.
- Assemble swing frame parts: EIA spaced vertical rails (item 1) to cross channels (item 2), using locking brkts (item 7), hinge (item 6), and corner brkts (item 9). Secure using 1/4-20 hardware supplied.
- Mount swing frame onto hinge bracket using hinge pins (item 10) top and bottom. Secure hinge pin using spring catch (item 14).
- Close frame against the stop bracket on lock side and turn 1/4 turn lock to lock frame into place.

TOOL BOX



3/8, 7/16" Socket Wrench



3/8, 7/16" Open End Wrench



1/4 Slot Head Screw Driver

