

FIG. 1 Krimptite - Single Barrel Closed LOOSE PIECE
 FIG. 2 Krimptite - Single Barrel Open STRIP

Part No.	Fig.	Wire Range	Fits Tab	Stock Thickness	"L"	"B"	"W"	"D"	"H"	"E"	Plating
BBZ-0159	2	16-14	.110 x .032	.016 Inch	.542	3/16	5/32	.119	3/32	1/4	No Plating
BBZ-1159	2	16-14	.110 x .032	.016 Inch	.542	3/16	5/32	.119	3/32	1/4	Electro-Tin
BBZ-0161	2	16-14	.187 x .020	.016 Inch	.542	3/16	15/64	.119	3/32	1/4	No Plating
BBZ-1161	2	16-14	.187 x .020	.016 Inch	.542	3/16	15/64	.119	3/32	1/4	Electro-Tin
BBZ-0164	2	16-14	.250 x .032	.016 Inch	.627	3/16	19/64	.156	7/64	5/16	No Plating
BBZ-1164	2	16-14	.250 x .032	.016 Inch	.627	3/16	19/64	.156	7/64	5/16	No Plating
X P-1139	1	14-12	.187 x .020	.016 Inch	.542	3/16	15/64	.119	3/32	1/4	Electro-Tin
X P-1142	1	14-12	.250 x .032	.016 Inch	.627	3/16	19/64	.156	7/64	5/16	Electro-Tin
PZ-0162	2	14-12	.187 x .020	.016 Inch	.542	3/16	15/64	.119	3/32	1/4	No Plating
PZ-1162	2	14-12	.187 x .020	.016 Inch	.542	3/16	15/64	.119	3/32	1/4	Electro-Tin
PZ-0165	2	14-12	.250 x .032	.016 Inch	.627	3/16	19/64	.156	7/64	5/16	No Plating
PZ-1165	2	14-12	.250 x .032	.016 Inch	.627	3/16	19/64	.156	7/64	5/16	Electro-Tin
BBZ-1185-032	2	16-14	.110 x .032	.016 Inch	.552	3/16	.163	.119	3/32	1/4	ELECTRO-TIN

TOLERANCES

± .025	± 1/64	± 1/64	± .010	± 1/64	± 1/64
--------	--------	--------	--------	--------	--------

MATERIAL: BRASS
 MARKING: ETC

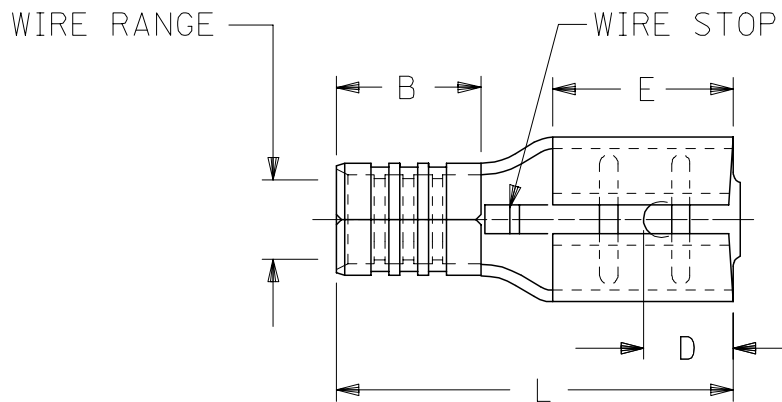
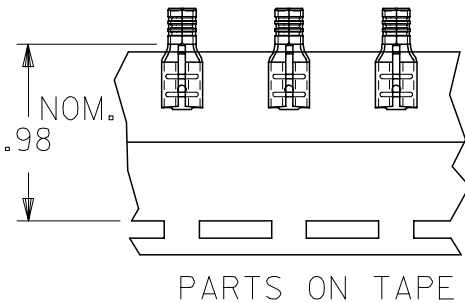
PERFORMANCE SPECS
 See

CUSTOMER QD DIMENSION CHART

TITLE:	QUICK DISCONNECT Krimptite TERMINALS	DIMENSIONAL TOLERANCE UNLESS OTHERWISE SPECIFIED	REVISION	SCALE:	DATE
FRAC.	±	DEC.	±	ANG.	±
DRWN. BY:	LEM	CHKD. BY:		APPRD. BY:	1/22/68
DRAWING NO.:	22A-0001				



MATERIAL NO. LOOSE PIECE	ENGINEERING NO.	MATERIAL NO. TAPE MOUNTED	ENGINEERING NO.	WIRE RANGE AWG	MM ²	FITS MALE TAB SIZE	L MAX	B ±.01/3	W MAX	D ±.01/3	H ±.01/3	E NOM
190160085	P-1142	190160086	P-1142T	14-12	1.65-4.2	.250x.032	.66/16.8	.190/4.83	.30/7.6	.156/3.96	.103/2.62	.31/7.9
190160099	M-1136-032	190160144	M-1136-032T	26-24	0.1-0.3	.187x.032	.55/14.0	.156/3.96	.24/6.1	.125/3.18	.103/2.62	.25/6.4
190160006	AA-1137-032	190160007	AA-1137-032T	22-18	0.25-1.3	.187x.032	.58/14.7	.200/5.08	.24/6.1	.125/3.18	.103/2.62	.25/6.4
190160040	BB-1138-032	190160041	BB-1138-032T	16-14	1.0-2.6	.187x.032	.58/14.7	.200/5.08	.24/6.1	.125/3.18	.103/2.62	.25/6.4
190160082	P-1139-032	190160083	P-1139-032T	14-12	1.65-4.2	.187x.032	.58/14.7	.200/5.08	.24/6.1	.125/3.18	.103/2.62	.25/6.4
190160098	M-1136	190160100	M-1136T	26-24	0.1-0.3	.187x.020	.55/14.0	.156/3.96	.24/6.1	.125/3.18	.086/2.18	.25/6.4
190160005	AA-1137	190160008	AA-1137T	22-18	0.25-1.3	.187x.020	.58/14.7	.200/5.08	.24/6.1	.125/3.18	.086/2.18	.25/6.4
190160039	BB-1138	190160042	BB-1138T	16-14	1.0-2.6	.187x.020	.58/14.7	.200/5.08	.24/6.1	.125/3.18	.086/2.18	.25/6.4
190160081	P-1139	190160084	P-1139T	14-12	1.65-4.2	.187x.020	.58/14.7	.200/5.08	.24/6.1	.125/3.18	.086/2.18	.25/6.4



NOTES:

1. MATERIAL: BRASS (.016/.41 THICK)
2. PLATING: ELECTROPLATE TIN
3. ALL DIMENSIONS IN INCHES/MM
WIRE SIZE: SEE CHART

ADDED MATERIAL NO FCC NO: ETC2006-0197 DRAWN BY: DEH CHKD: JLOMASTRO APPR: RDEROSS REVISIONS: 2006/01/18 2006/01/18 2006/01/30	QUALITY SYMBOLS ▽=0 ▽=0	GENERAL TOLERANCES (UNLESS SPECIFIED)		DIMENSION STYLE IN/MM		SCALE 4:1	DESIGN UNITS INCH	THIRD ANGLE PROJECTION	
		mm	INCH	DRAWN BY RCM	DATE 90/11/28	KRIMPTITE QUICK DISCONNECT MOLEX INCORPORATED			
		4 PLACES ±.005	±.005	CHECKED BY RCM	DATE 90/11/28				
		3 PLACES ±.013	±.01	APPROVED BY RDEROSS	DATE 90/11/28	MATERIAL NO. SD-19016-004	DOCUMENT NO. SD-19016-004	SHEET NO. 1 OF 1	
DRAFT WHERE APPLICABLE MUST REMAIN WITHIN DIMENSIONS		ANGULAR ±1/2°		SEE CHART		THIS DRAWING CONTAINS INFORMATION THAT IS PROPRIETARY TO MOLEX INCORPORATED AND SHOULD NOT BE USED WITHOUT WRITTEN PERMISSION			